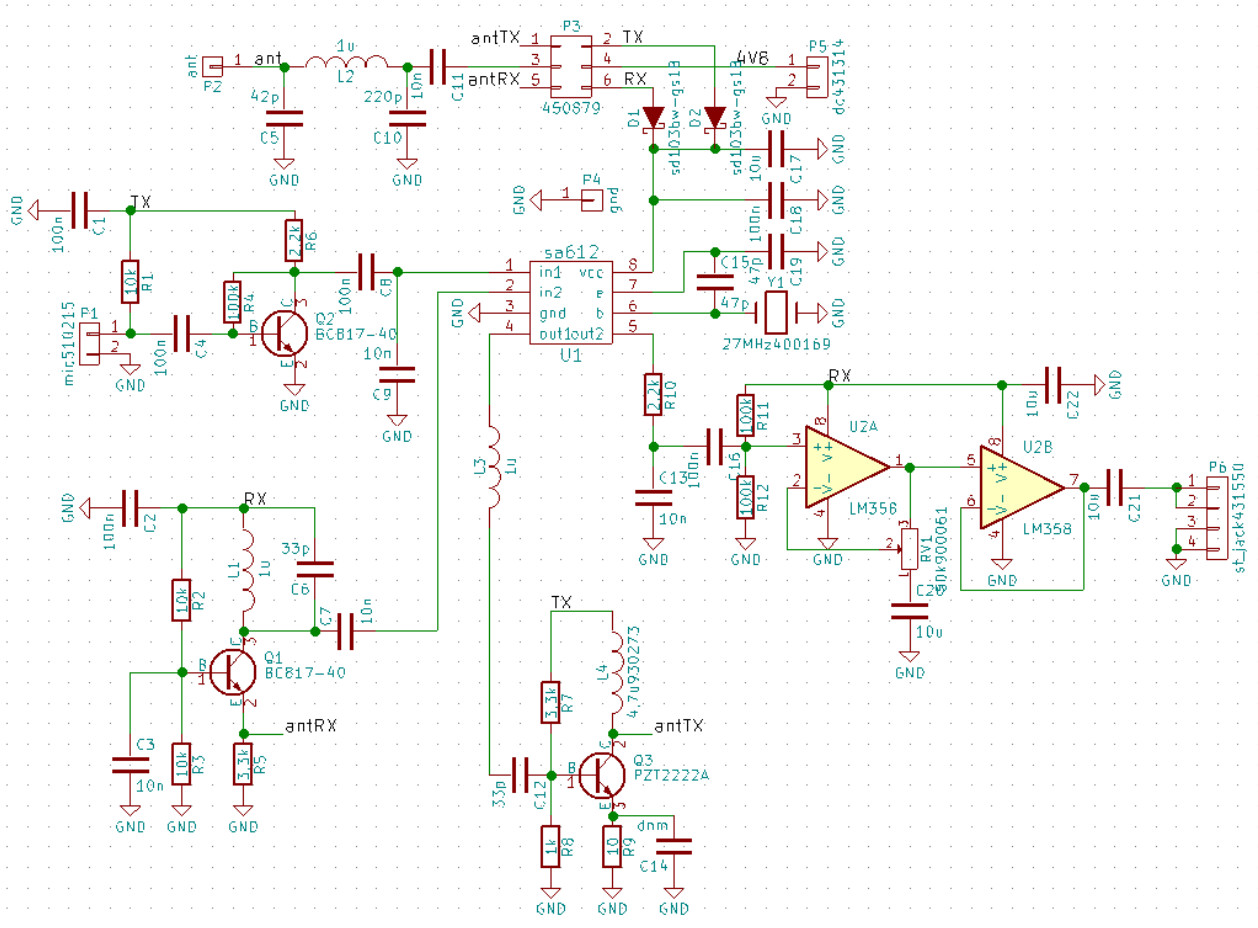


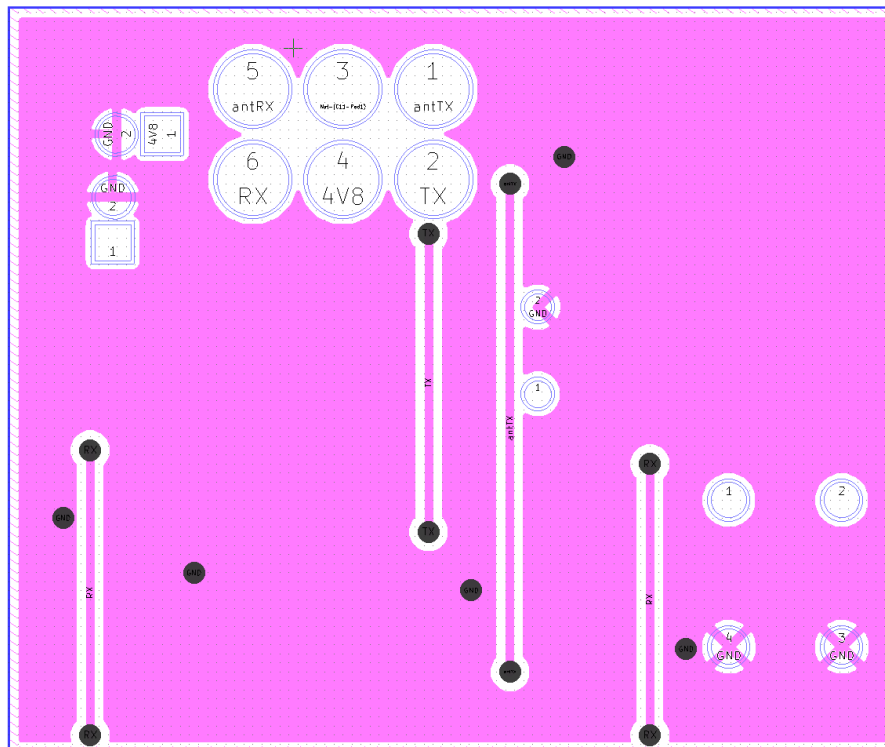
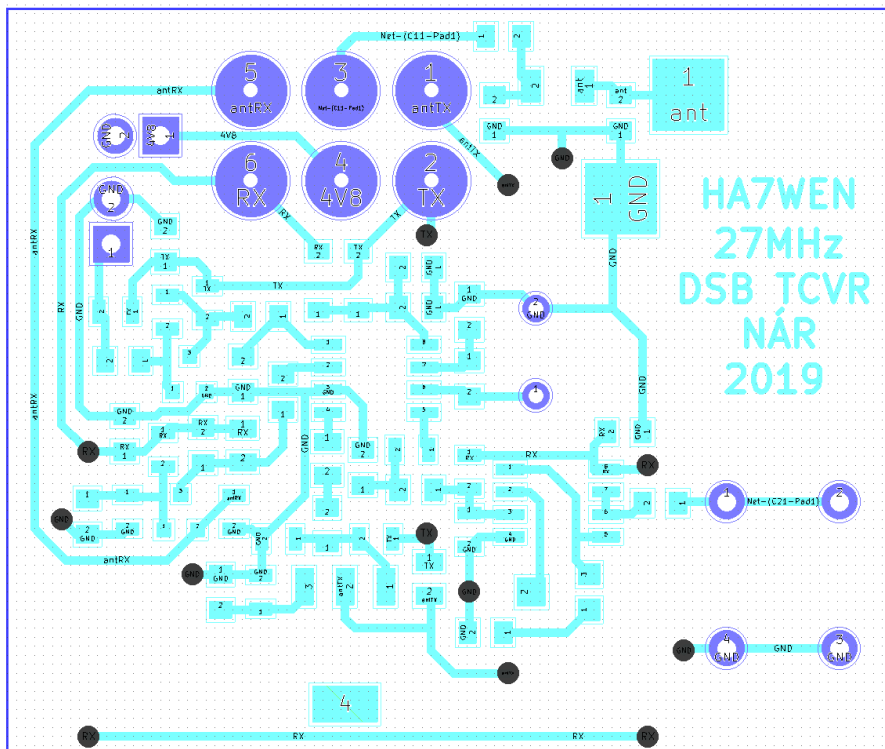
# Nagyfrekvenciás áramkörök realizációja

A 2018-2019/2 félévben a feladat egy 27 MHz-en üzemelő beszédátvitelre alkalmas analóg AM-DSB/SC adó-vevő elkészítése.

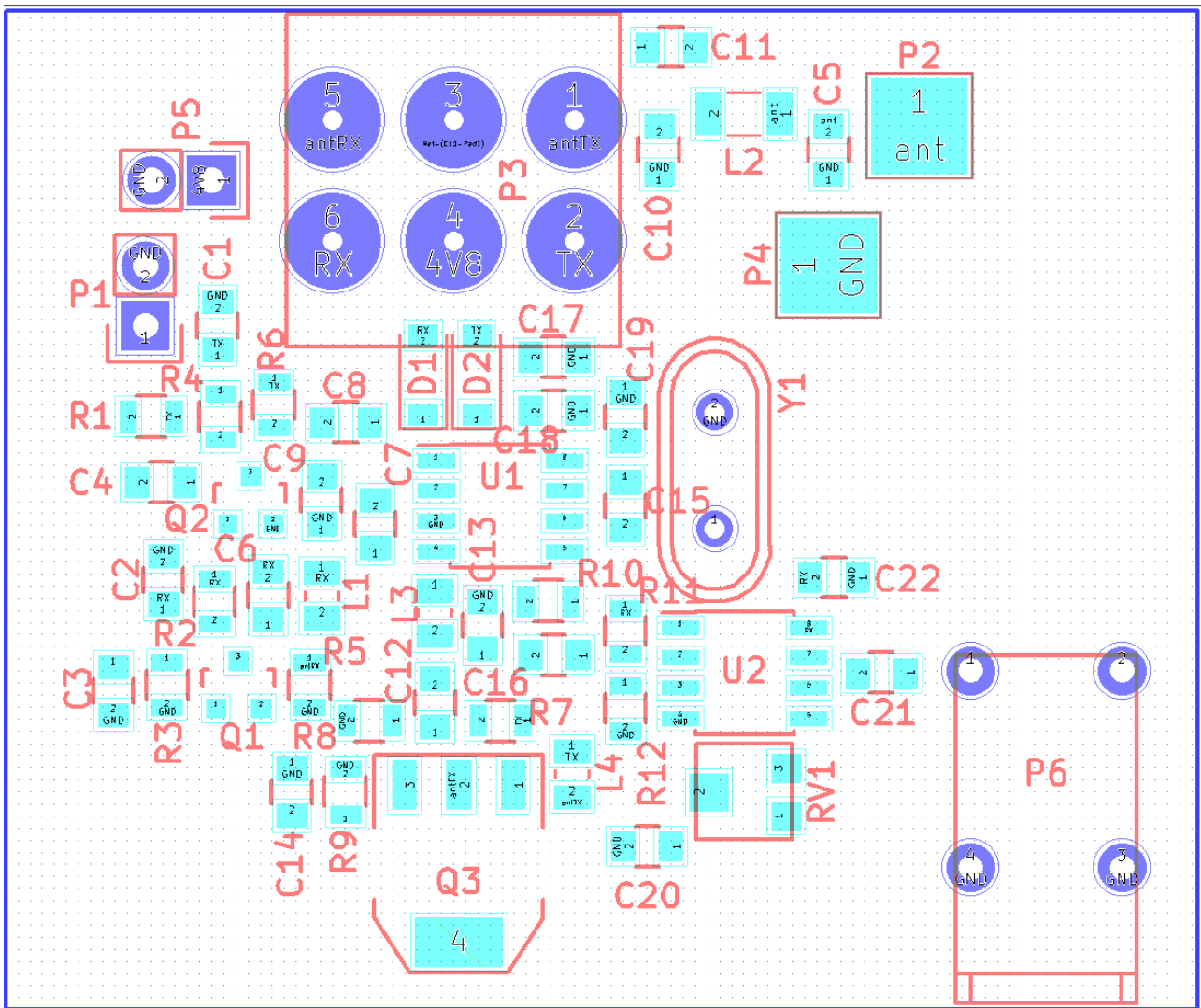
## 1. Kapcsolási rajz



## 2. Nyomtatott huzalozású lemez terv



### 3. Alkatrész ültetési rajz



## 4. Alkatrész lista

Reference	Value	Footprint			
C1	100n	Capacitors_SMD:C_0805	100nF 0805	82-10-76	6
C10	220p	Capacitors_SMD:C_0805	10nF 0805	82-05-78	5
C11	10n	Capacitors_SMD:C_0805	10uF 0805	82-10-18	4
C12	33p	Capacitors_SMD:C_0805	39pF 0805	82-08-85	1
C13	10n	Capacitors_SMD:C_0805	33pF 0805	82-12-75	2
C14	dnm	Capacitors_SMD:C_0805	47pF 0805	82-05-57	2
C15	47p	Capacitors_SMD:C_0805	220pF 0805	82-12-83	1
C16	100n	Capacitors_SMD:C_0805	SD103BW-GS18	83-02-07	2
C17	10u	Capacitors_SMD:C_0805	1uH 0805	93-02-71	3
C18	100n	Capacitors_SMD:C_0805	4,7uH 0805	93-02-73	1
C19	47p	Capacitors_SMD:C_0805	mic	51-02-15	1
C2	100n	Capacitors_SMD:C_0805	sw	45-08-79	1
C20	10u	Capacitors_SMD:C_0805	elemtarto	43-13-14	1
C21	10u	Capacitors_SMD:C_0805	jack	43-15-50	1
C22	10u	Capacitors_SMD:C_0805	bc817-40	86-01-94	2
C3	10n	Capacitors_SMD:C_0805	pzt2222a	86-02-43	1
C4	100n	Capacitors_SMD:C_0805	lm358	89-10-04	1
C5	42p	Capacitors_SMD:C_0805	27MHz	40-01-69	1
C6	33p	Capacitors_SMD:C_0805	50k poti	90-00-61	1
C7	10n	Capacitors_SMD:C_0805	10R 0805	81-29-79	1
C8	100n	Capacitors_SMD:C_0805	1k 0805	81-27-93	1
C9	10n	Capacitors_SMD:C_0805	2k2 0805	81-34-74	2
			3k3 0805	81-02-57	2
D1	sd103bw-gs18	Diode_SMD:D_SOD-123	10k 0805	81-34-76	3
D2	sd103bw-gs18	Diode_SMD:D_SOD-123	100k 0805	81-34-79	3
			panel 100x160	25-00-25	
			sa612	2212081	1
L1	1u	Inductor_SMD:L_0805_2012Metric			
L2	1u	Inductor_SMD:L_1206_3216Metric			
L3	1u	Inductor_SMD:L_0805_2012Metric			
L4	4,7u	Inductor_SMD:L_0805_2012Metric			
P1	mic510215	Pin_Headers:Pin_Header_Straight_1x02			
P2	ant	TestPoint:TestPoint_Pad_4.0x4.0mm			
P3	450879	2019:6pDPsw			
P4	gnd	TestPoint:TestPoint_Pad_4.0x4.0mm			
P5	dc431314	Pin_Headers:Pin_Header_Straight_1x02			
P6	st_jack431550	jack431550			
Q1	BC817-40	TO_SOT_Packages_SMD:SOT-23			
Q2	BC817-40	TO_SOT_Packages_SMD:SOT-23			
Q3	PZT2222A	TO_SOT_Packages_SMD:SOT-223			
R1	10k	Resistors_SMD:R_0805			
R10	2,2k	Resistors_SMD:R_0805			
R11	100k	Resistors_SMD:R_0805			
R12	100k	Resistors_SMD:R_0805			
R2	10k	Resistors_SMD:R_0805			
R3	10k	Resistors_SMD:R_0805			
R4	100k	Resistors_SMD:R_0805			
R5	3,3k	Resistors_SMD:R_0805			
R6	2,2k	Resistors_SMD:R_0805			
R7	3,3k	Resistors_SMD:R_0805			
R8	1k	Resistors_SMD:R_0805			
R9	10R	Resistors_SMD:R_0805			
RV1	50k900061	2019:poti			
U1	sa612	SO-8			
U2	LM358	Package_SOIC:SO-8_5.3x6.2mm_P1.27mm			
Y1	27MHz400169	Crystals:Crystal_HC49-U_Vertical			