

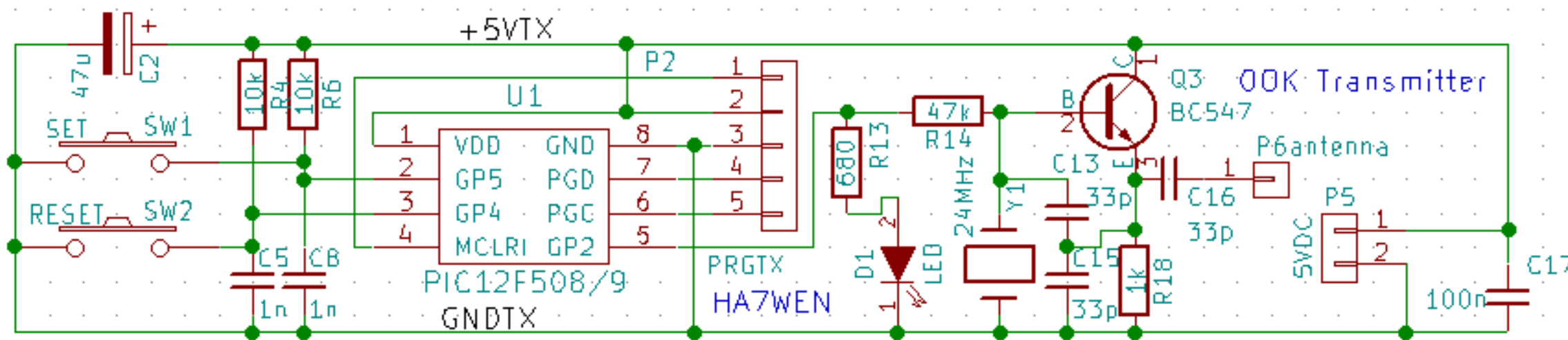
resistors
 1 x 33 Ohm 02-07-64
 11 x 10 kOhm 02-06-83
 2 x 680 Ohm 02-07-97
 2 x 47 kOhm 02-08-36
 1 x 1 kOhm 02-06-80
 1 x 10 MOhm 02-10-03

capacitors
 3 x 47 uF 12-00-35
 4 x 100 nF 07-06-12
 2 x 22 nF 07-01-30
 3 x 33 pF 07-09-68
 1 x 30 pF 07-09-67
 1 x 4.7 pF 07-09-62
 3 x 1 nF 07-03-31
 1 x 15 pF 07-09-64

inductors
 1 x 22 uH 55-00-66
 1 x 1 uH 55-01-95

semiconductors
 2 x BC547C 21-10-92
 1 x LM358 32-15-49
 1 x 24 MHz 40-01-34
 2 x PIC12F508 32-20-19
 2 x 5mm LED 34-06-45

2 x push button 45-00-07
 programmer con. 43-00-73
 100x160 (122x28) pcb 25-00-04



- x 1 U4 hole
- x 1 U5 hole
- x 1 U6 hole
- x 1 U7 hole

Sheet: /
 File: rc.sch

Title:

Size: User

Date:

KiCad E.D.A. kicad 4.0.4+e1-630848ubuntu14.04.1-stable

Rev:

Id: 1/1